

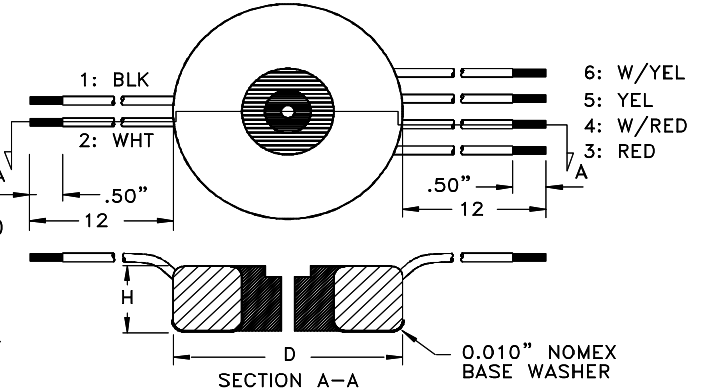
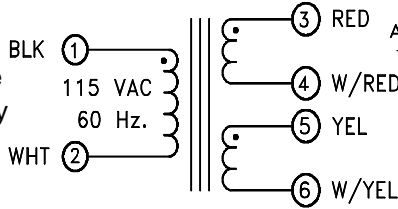


THE LARGEST SELECTION OF HEAVY DUTY 60HZ.TOROIDAL POWER TRANSFORMERS.

100% MADE IN USA

ADVANTAGES OF TOROIDAL vs. LAMINATED TRANSFORMERS.

- Higher efficiency(Save energy)
- Lower mechanical hum
- Lower electrical noise
- Lower magnetic leakage
- Easier to electrostatically shield
- Lower weight
- Smaller dimensions
- And most important, 100, 208, 220 OR 230V PRIMARY price competitive. ON REQUEST.



PIN NO'S ARE FOR REFERENCE ONLY.

Part Number	Load Voltage	Load Current	Part Number	Load Voltage	Load Current	Part Number	Load Voltage	Load Current	Part Number	Load Voltage	Load Current
8VA, 2.2"x1.1" 0.41#, 21% regulation			FR025-0018	18	1.39	FR050-2024	2x24	1.04	FR100-2024	2x24	2.08
FR008-0009	9	0.83	FR025-0024	24	1.04	FR050-2028	2x28	0.89	FR100-2028	2x28	1.79
FR008-0012	12	0.62	FR025-0028	28	0.89	FR050-2048	2x48	0.52	FR100-2048	2x48	1.04
FR008-0015	15	0.50	FR025-2009	2x9	1.39	FR050-2575	2x57.5	0.43	FR100-2575	2x57.5	0.87
FR008-0018	18	0.41	FR025-2012	2x12	1.04	FR050-2115	2x115	0.22	FR100-2115	2x115	0.43
FR008-0024	24	0.31	FR025-2015	2x15	0.83	75VA, 3.3x1.4" 1.74#, 14% regulation			120VA, 3.8"x1.4" 2.24#, 14% regulation		
FR008-0028	28	0.26	FR025-2018	2x18	0.69						
10VA, 2.4"x1.1" 0.53#, 20% regulation			FR025-2024	2x24	0.52	FR075-0009	9	8.33	FR120-0009	9	13.33
FR010-0009	9	1.11	FR025-2028	2x28	0.45	FR075-0012	12	6.25	FR120-0012	12	10.00
15VA, 2.5"x1.1" 0.64#, 18% regulation			30VA, 2.8"x1.3" 0.98#, 16% regulation			FR075-0015	15	5.00	FR120-0015	15	8.00
FR010-0012	12	0.83	FR030-0009	9	3.33	FR075-0018	18	4.17	FR120-0018	18	6.67
FR010-0015	15	0.66	FR030-0012	12	2.50	FR075-0024	24	3.13	FR120-0024	24	5.00
FR010-0018	18	0.55	FR030-0015	15	2.00	FR075-0028	28	2.68	FR120-0028	28	4.29
FR010-0024	24	0.41	FR030-0018	18	1.67	FR075-0115	115	0.65	FR120-0115	115	1.04
FR010-0028	28	0.35	FR030-0024	24	1.25	FR075-2009	2x9	4.17	FR120-2009	2x9	6.67
25VA, 2.8"x1.2" 0.85#, 18% regulation			FR030-0028	28	1.07	FR075-2012	2x12	3.13	FR120-2012	2x12	5.00
FR015-0009	9	1.66	FR030-0028	28	1.07	FR075-2015	2x15	2.50	FR120-2015	2x15	4.00
FR015-0012	12	1.25	FR030-2009	2x9	1.67	FR075-2018	2x18	2.08	FR120-2018	2x18	3.33
FR015-0015	15	1.00	FR030-2012	2x12	1.25	FR075-2024	2x24	1.56	FR120-2024	2x24	2.50
FR015-0018	18	0.83	FR030-2015	2x15	1.00	FR075-2028	2x28	1.34	FR120-2028	2x28	2.14
FR015-0024	24	0.62	FR030-2018	2x18	0.83	FR075-2048	2x48	0.78	FR120-2048	2x48	1.25
FR015-0028	28	0.53	FR030-2024	2x24	0.63	FR075-2575	2x57.5	0.65	FR120-2575	2x57.5	1.04
FR015-2009	2x9	0.83	FR030-2028	2x28	0.54	FR075-2115	2x115	0.33	FR120-2115	2x115	0.52
FR015-2012	2x12	0.62	50VA, 3.2x1.3" 1.34#, 16% regulation			100VA, 3.8"x1.4" 2.24#, 12% regulation			150VA, 4.2"x1.5" 3.56#, 8% regulation		
FR015-2015	2x15	0.50	FR050-0009	9	5.56	FR100-0009	9	11.11	FR150-0009	9	16.67
FR015-2018	2x18	0.41	FR050-0012	12	4.17	FR100-0012	12	8.33	FR150-0012	12	12.50
FR015-2024	2x24	0.31	FR050-0015	15	3.33	FR100-0015	15	6.67	FR150-0015	15	10.00
FR015-2028	2x28	0.26	FR050-0018	18	2.78	FR100-0018	18	5.56	FR150-0018	18	8.33
25VA, 2.8"x1.2" 0.85#, 18% regulation			FR050-0024	24	2.08	FR100-0024	24	4.17	FR150-0024	24	6.25
FR025-0009	9	2.78	FR050-0028	28	1.79	FR100-0028	28	3.57	FR150-0028	28	5.36
FR025-0012	12	2.08	FR050-0115	115	0.43	FR100-0115	115	0.87	FR150-0115	115	1.30
FR025-0015	15	1.67	FR050-2009	2x9	2.78	FR100-2009	2x9	5.56	FR150-2009	2x9	8.33
25VA, 2.8"x1.2" 0.85#, 18% regulation			FR050-2012	2x12	2.08	FR100-2012	2x12	4.17	FR150-2012	2x12	6.25
FR025-0012	12	2.08	FR050-2015	2x15	1.67	FR100-2015	2x15	3.33	FR150-2015	2x15	5.00
FR025-0015	15	1.67	FR050-2018	2x18	1.39	FR100-2018	2x18	2.78	FR150-2018	2x18	4.17

NOTE: Mechanical dimensions and electrical data accurate to within ±3%.

Semi Epoxy Molded: Add 0.20" OD & 0.09" HT. Full Epoxy Molded: Add 0.20" OD & HT.



THE LARGEST SELECTION OF HEAVY DUTY 60Hz.TOROIDAL POWER TRANSFORMERS.

100% MADE IN USA

Part Number	Load Voltage	Load Current	Part Number	Load Voltage	Load Current	Part Number	Load Voltage	Load Current	Part Number	Load Voltage	Load Current
FR150-2024	2x24	3.13	FR300-0115	115	2.61	FR500-0024	24	20.84	FR900-2028	2x28	16.07
FR150-2028	2x28	2.68	FR300-2009	2x9	16.67	FR500-0028	28	17.86	FR900-2048	2x48	9.37
FR150-2048	2x48	1.56	FR300-2012	2x12	12.50	FR500-0115	115	4.35	FR900-2575	2x57.5	7.82
FR150-2575	2x57.5	1.30	FR300-2015	2x15	10.00	FR500-2009	2x9	27.78	FR900-2115	2x115	3.91
FR150-2115	2x115	0.65	FR300-2018	2x18	8.34	FR500-2012	2x12	20.84	1kVA, 6.8"x2.7" 15.9#, 4% regulation		
200VA, 4.5"x1.9" 4.30#, 7% regulation			FR300-2024	2x24	6.25	FR500-2015	2x15	16.66			
FR200-0009	9	22.22	FR300-2028	2x28	5.36	FR500-2018	2x18	13.89	FR102-0115	115	8.69
FR200-0012	12	16.67	FR300-2048	2x48	3.13	FR500-2024	2x24	10.41	FR102-2018	2x18	27.77
FR200-0015	15	13.33	FR300-2575	2x57.5	2.61	FR500-2028	2x28	8.93	FR102-2024	2x24	20.84
FR200-0018	18	11.11	FR300-2115	2x115	1.30	FR500-2048	2x48	5.21	FR102-2028	2x28	17.85
FR200-0024	24	8.33	360VA, 5.0"x2.1" 6.20#, 6% regulation			FR500-2575	2x57.5	4.35	FR102-2048	2x48	10.41
FR200-0028	28	7.14	FR360-0012	12	30.00	FR500-2115	2x115	2.18	FR102-2575	2x57.5	8.69
FR200-0115	115	1.74	FR360-0015	15	24.00	600VA, 5.7"x2.5" 9.6#, 5% regulation			FR102-2115	2x115	4.35
FR200-2009	2x9	11.11	FR360-0018	18	20.00	FR600-0018	18	33.33	1.2kVA, 7.0"X2.9" 18.0#, 4% regulation		
FR200-2012	2x12	8.33	FR360-0018	18	20.00	FR600-0024	24	25.00	FR122-0115	115	10.43
FR200-2015	2x15	6.67	FR360-0024	24	15.00	FR600-0028	28	21.42	FR122-2018	2x18	33.33
FR200-2018	2x18	5.56	FR360-0028	28	12.85	FR600-0115	115	5.21	FR122-2024	2x24	25.00
FR200-2024	2x24	4.17	FR360-0115	115	3.13	FR600-2009	2x9	33.33	FR122-2028	2x28	21.42
FR200-2028	2x28	3.57	FR360-2009	2x9	20.00	FR600-2012	2x12	25.00	FR122-2048	2x48	12.50
FR200-2048	2x48	2.08	FR360-2012	2x12	15.00	FR600-2015	2x15	20.00	FR122-2575	2x57.5	10.43
FR200-2575	2x57.5	1.74	FR360-2015	2x15	12.00	FR600-2018	2x18	16.66	FR122-2115	2x115	5.21
FR200-2115	2x115	0.87	FR360-2018	2x18	10.00	FR600-2024	2x24	12.50	1.8kVA, 7.5"X3.5" 25#, 3% regulation		
250VA, 4.6"x2.0" 4.7#, 7% regulation			FR360-2024	2x24	7.50	FR600-2028	2x28	10.71	FR182-0115	115	15.65
FR250-0012	12	20.83	FR360-2028	2x28	6.42	FR600-2048	2x48	6.25	FR182-2028	2x28	32.14
FR250-0015	15	16.66	FR360-2048	2x48	3.75	FR600-2575	2x57.5	5.21	FR182-2048	2x48	18.75
FR250-0018	18	13.88	FR360-2575	2x57.5	3.13	FR600-2115	2x115	2.60	FR182-2575	2x57.5	15.65
FR250-0024	24	10.41	FR360-2115	2x115	1.56	400VA, 5.2"x2.2" 7.20#, 6% regulation			FR182-2115	2x115	7.82
FR250-0028	28	8.92	400VA, 5.2"x2.2" 7.20#, 6% regulation			750VA, 6.0"x2.7" 11.6#, 5% regulation			2.4kVA, 7.5"X4.5" 33#, 3% regulation		
FR250-0115	115	2.17	FR400-0015	15	26.67	FR750-0024	24	31.25	FR242-0115	115	20.86
FR250-2009	2x9	13.88	FR400-0018	18	22.22	FR750-0028	28	26.79	FR242-2048	2x48	25.00
FR250-2012	2x12	10.41	FR400-0024	24	16.67	FR750-0115	115	6.52	FR242-2575	2x57.5	20.86
FR250-2015	2x15	8.33	FR400-0028	28	14.29	FR750-2012	2x12	31.25	FR242-2115	2x115	10.43
FR250-2018	2x18	6.94	FR400-0115	115	3.48	FR750-2015	2x15	25.00	4.8kVA, 10.5"X4.4" 61#, 2% regulation		
FR250-2024	2x24	5.20	FR400-2009	2x9	22.22	FR750-2018	2x18	20.83	FR482-2115	2x115	10.43
FR250-2028	2x28	4.46	FR400-2012	2x12	16.67	FR750-2024	2x24	15.63	900VA, 6.4"x2.8" 14.3#, 4% regulation		
FR250-2048	2x48	2.60	FR400-2015	2x15	13.33	FR750-2028	2x28	13.39	FR900-0028	28	32.14
FR250-2575	2x57.5	2.17	FR400-2018	2x18	11.11	FR750-2048	2x48	7.81	FR900-0115	115	7.82
FR250-2115	2x115	1.08	FR400-2024	2x24	8.33	FR750-2575	2x57.5	6.52	FR900-2015	2x15	30.00
300VA, 4.8"x2.0" 5.20#, 6% regulation			FR400-2028	2x28	7.14	FR750-2115	2x115	3.26	FR900-2018	2x18	25.00
FR300-0012	12	25.00	FR400-2048	2x48	4.17	500VA, 5.5"x2.3" 8.20#, 6% regulation			FR900-2024	2x24	18.75
FR300-0015	15	20.00	FR400-2575	2x57.5	3.48	FR500-0015	15	33.34			
FR300-0018	18	16.67	FR400-2115	2x115	1.74	FR500-0018	18	27.78			
FR300-0024	24	12.50									
FR300-0028	28	10.71									

NOTE: Mechanical dimensions and electrical data accurate to within ±3%.

Semi Epoxy Molded: Add 0.20" OD & 0.09" HT. Full Epoxy Molded: Add 0.20" OD & HT.