

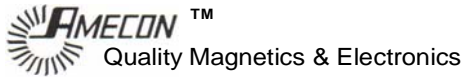


RTI Electronics, Inc.™

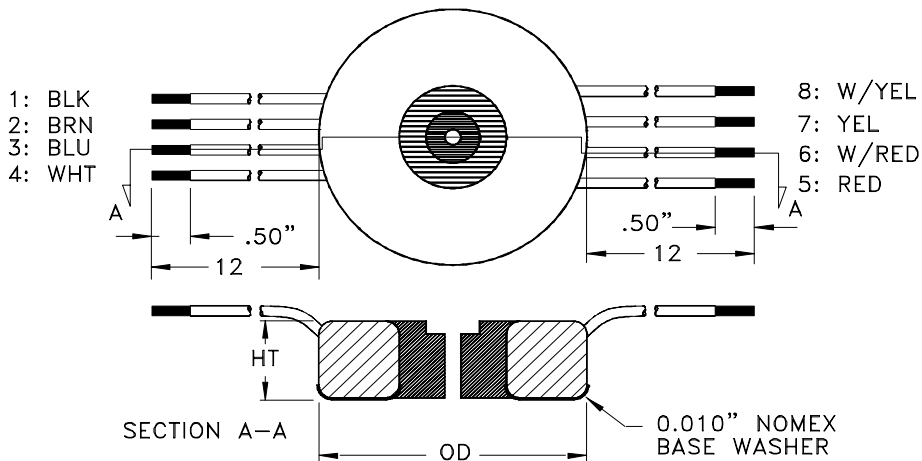
1800 E. Via Burton Street
Anaheim, CA 92806-1213

A Wholly Owned Subsidiary of IntriCon Corporation

Phone : 714-765-8200
Fax: 714-765-8201

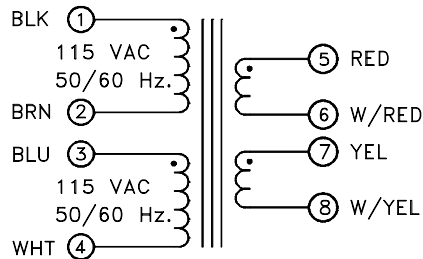


LARGEST SELECTION OF HEAVY DUTY 50/60Hz. TOROIDAL POWER TRANSFORMERS.



For line voltage	115V	230V
Apply input to:	1&2	1&4
Connect	1 to 3 and 2 to 4	2 to 3

208V, 220 OR 240VAC
PRIMARY ON REQUEST.
PIN NUMBERS ARE
FOR REFERENCE ONLY.



Part Number	Load Voltage	Load Current
12VA, 2.5"x1.1" 0.72#, 15% regulation		
ER012-0009	9	1.33
ER012-0012	12	1.00
ER012-0015	15	0.80
ER012-0018	18	0.67
ER012-0024	24	0.50
ER012-0028	28	0.43
ER012-2009	2x9	0.67
ER012-2012	2x12	0.50
ER012-2015	2x15	0.40
ER012-2018	2x18	0.33
ER012-2024	2x24	0.25
ER012-2028	2x28	0.21

Part Number	Load Voltage	Load Current
ER120-0018	18	6.67
ER120-0024	24	5.00
ER120-0028	28	4.29
ER120-0115	115	1.04
ER120-2009	2x9	6.67
ER120-2012	2x12	5.00
ER120-2015	2x15	4.00
ER120-2018	2x18	3.33
ER120-2024	2x24	2.50
ER120-2028	2x28	2.14
ER120-2048	2x48	1.25
ER120-2575	2x57.5	1.04
ER120-2115	2x115	0.52

20VA, 2.8"x1.2" 0.92#, 16% regulation		
ER020-0009	9	2.22
ER020-0012	12	1.67
ER020-0015	15	1.33
ER020-0018	18	1.11
ER020-0024	24	0.83
ER020-0028	28	0.71
ER020-2009	2x9	1.11
ER020-2012	2x12	0.83
ER020-2015	2x15	0.67
ER020-2018	2x18	0.56
ER020-2024	2x24	0.42
ER020-2028	2x28	0.36
25VA, 2.8"x1.3" 1.1#, 15% regulation		
ER025-0009	9	2.78
ER025-0012	12	2.08
ER025-0015	15	1.67
ER025-0018	18	1.39
ER025-0024	24	1.04
ER025-0028	28	0.89
ER025-2009	2x9	1.39
ER025-2012	2x12	1.04
ER025-2015	2x15	0.83
ER025-2018	2x18	0.69
ER025-2024	2x24	0.52
ER025-2028	2x28	0.45
40VA, 3.2"x1.3" 1.5#, 15% regulation		
ER040-0009	9	4.44
ER040-0012	12	3.33
ER040-0015	15	2.67
ER040-0018	18	2.22
ER040-0024	24	1.67
ER040-0028	28	1.43
ER040-0115	115	0.35
ER040-2009	2x9	2.22
ER040-2012	2x12	1.67
ER040-2015	2x15	1.33
ER040-2018	2x18	1.11
ER040-2024	2x24	0.83
ER040-2028	2x28	0.71
ER040-2048	2x48	0.42
ER040-2575	2x57.5	0.35
ER040-2115	2x115	0.17

160VA, 4.5"x1.9" 4.9#, 8% regulation		
ER160-0009	9	17.78
ER160-0012	12	13.33
ER160-0015	15	10.67
ER160-0018	18	8.89
ER160-0024	24	6.67
ER160-0028	28	5.71
ER160-0115	115	1.39
ER160-2009	2x9	8.89
ER160-2012	2x12	6.67
ER160-2015	2x15	5.33
ER160-2018	2x18	4.44
ER160-2024	2x24	3.33
ER160-2028	2x28	2.86
ER160-2048	2x48	1.67
ER160-2575	2x57.5	1.39
ER160-2115	2x115	0.70
250VA, 4.8"x2.0" 6.2#, 8% regulation		
ER250-0012	12	20.83
ER250-0015	15	16.67
ER250-0018	18	13.89
ER250-0024	24	10.42
ER250-0028	28	8.93
ER250-0115	115	2.17
ER250-2009	2x9	13.89
ER250-2012	2x12	10.42
ER250-2015	2x15	8.33
ER250-2018	2x18	6.94
ER250-2024	2x24	5.21
ER250-2028	2x28	4.46
ER250-2048	2x48	2.60
ER250-2575	2x57.5	2.17
ER250-2115	2x115	1.09
320VA, 5.2"x2.2" 8.1#, 6% regulation		
ER320-0015	15	21.33
ER320-0018	18	17.78
ER320-0024	24	13.33
ER320-0028	28	11.43
ER320-0115	115	2.78
ER320-2009	2x9	17.78
ER320-2012	2x12	13.33
ER320-2015	2x15	10.67
ER320-2018	2x18	8.89
ER320-2024	2x24	6.67
ER320-2028	2x28	5.71
ER320-2048	2x48	3.33
ER320-2575	2x57.5	2.78
ER320-2115	2x115	1.39

60VA, 3.3"x1.4" 1.9#, 13% regulation		
ER060-0009	9	6.67
ER060-0012	12	5.00
ER060-0015	15	4.00
ER060-0018	18	3.33
ER060-0024	24	2.50
ER060-0028	28	2.14
ER060-0115	115	0.52
ER060-2009	2x9	3.33
ER060-2012	2x12	2.50
ER060-2015	2x15	2.00
ER060-2018	2x18	1.67
ER060-2024	2x24	1.25
ER060-2028	2x28	1.07
ER060-2048	2x48	0.63
ER060-2575	2x57.5	0.52
ER060-2115	2x115	0.26
80VA, 3.8"x1.4" 2.5#, 13% regulation		
ER080-0009	9	8.89
ER080-0012	12	6.67
ER080-0015	15	5.33
ER080-0018	18	4.44
ER080-0024	24	3.33
ER080-0028	28	2.86
ER080-0115	115	0.70
ER080-2009	2x9	4.44
ER080-2012	2x12	3.33
ER080-2015	2x15	2.67
ER080-2018	2x18	2.22
ER080-2024	2x24	1.67
ER080-2028	2x28	1.43
ER080-2048	2x48	0.83
ER080-2575	2x57.5	0.70
ER080-2115	2x115	0.35
100VA, 3.8"x1.4" 2.5#, 16% regulation		
ER100-0009	9	11.11
ER100-0012	12	8.33
ER100-0015	15	6.67
ER100-0018	18	5.56
ER100-0024	24	4.17
ER100-0028	28	3.57
ER100-0115	115	0.87
ER100-2009	2x9	5.56
ER100-2012	2x12	4.17
ER100-2015	2x15	3.33
ER100-2018	2x18	2.78
ER100-2024	2x24	2.08
ER100-2028	2x28	1.79
ER100-2048	2x48	1.04
ER100-2575	2x57.5	0.87
ER100-2115	2x115	0.43

400VA, 5.5"x2.3" 9.4#, 6% regulation		
ER400-0018	18	22.22
ER400-0024	24	16.67
ER400-0028	28	14.29
ER400-0115	115	3.48
ER400-2009	2x9	22.22
ER400-2012	2x12	16.67
ER400-2015	2x15	13.33
ER400-2018	2x18	11.11
ER400-2024	2x24	8.33
ER400-2028	2x28	7.14
ER400-2048	2x48	4.17
ER400-2575	2x57.5	3.48
ER400-2115	2x115	1.74
600VA, 6.0"x2.7" 13.2#, 5% regulation		
ER600-0024	24	25.00
ER600-0028	28	21.43
ER600-0115	115	5.22
ER600-2012	2x12	25.00
ER600-2015	2x15	20.00
ER600-2018	2x18	16.67
ER600-2024	2x24	12.50
ER600-2028	2x28	10.71
ER600-2048	2x48	6.25
ER600-2575	2x57.5	5.22
ER600-2115	2x115	2.61
800VA, 6.8"x2.7" 16.8#, 4% regulation		
ER800-0115	115	6.96
ER800-2018	2x18	22.22
ER800-2024	2x24	16.67
ER800-2028	2x28	14.29
ER800-2048	2x48	8.33
ER800-2575	2x57.5	6.96
ER800-2115	2x115	3.48
1.2kVA, 7.1"x3.4" 22#, 4% regulation		
ER122-0115	115	10.43
ER122-2024	2x24	25.00
ER122-2028	2x28	21.43
ER122-2048	2x48	12.50
ER122-2575	2x57.5	10.43
ER122-2115	2x115	5.22
2.0kVA, 7.8"x4.4" 36#, 3% regulation		
ER202-0115	115	17.39
ER202-2048	2x48	20.83
ER202-2575	2x57.5	17.39
ER202-2115	2x115	8.70

120VA, 4.2"x1.5" 3.3#, 13% regulation		
ER120-0009	9	13.33
ER120-0012	12	10.00
ER120-0015	15	8.00

5.0kVA, 10.5"x5.0" 77#, 2% regulation		
ER502-2115	2x115	21.74

- Custom designs tailored to your specs are made and evaluated on a two week cycle.
 - Electrostatic shielding available on all transformers with a small power derating.
 - Magnetic shielding and lower magnetic leakage designs for sensitive areas such as encountered in computers and audio equipment are available on all transformers.
 - Low profile and small diameter designs available upon request.
 - Amecon has the world's most complete toroidal mfg. facilities.
- We can machine wind toroids in excess of 50" dia & 2000 LB.